

**CUx**  
*Enjoy your trip*



SUPER  
**SOCO**



## Small size, big power

### Exclusive CU customized battery pack

Elegant and practical (SOC indicated). Weight 10.5kg (light and portable)

Max range 80km

(Tested on flat road, rider weight 75kg. average riding speed 45km/h, temperature 26°C)

**5** years+  
Life time

**600** +  
Cycle times

**7** h  
Charging time

**170** PCS  
18650 cells

## Perfect controls

A simplified toggling mechanism allows you to easily operate the Super SOCO CU X and all of its functions, including convenient cruise control.



## Under seat storage

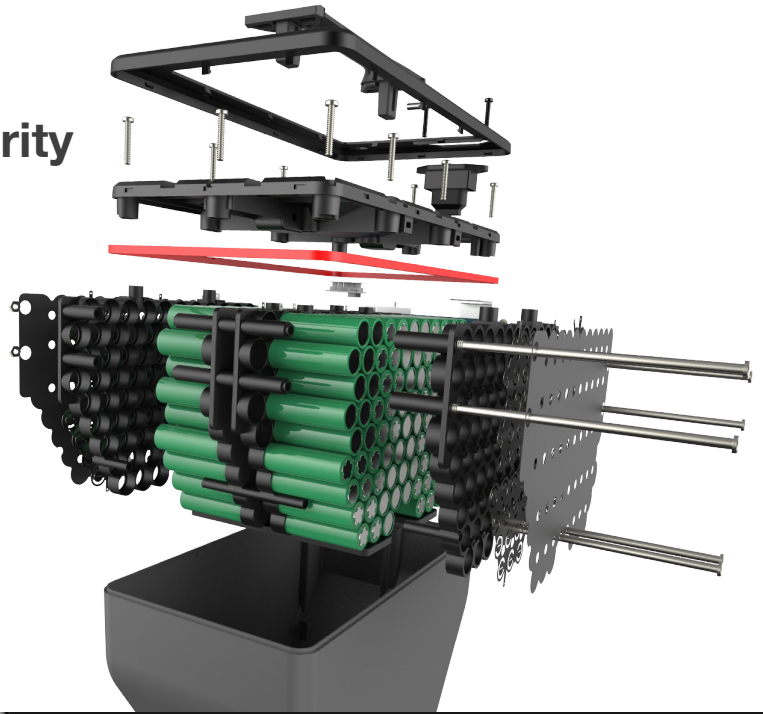
Smart isolated space for battery and storage. Exclusive buckle for charger connector prevents damage to power cable.



## Bigger capacity, higher security

### New generation pack solution

Honeycomb structure design with performance of geometric mechanics. New thermal technology, better cell performance.



## Excellent performance

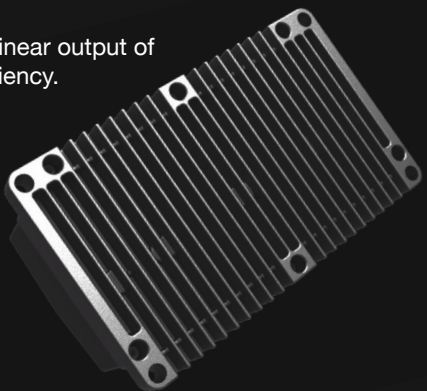
### High efficiency kinetic motor

Customized and developed for City transportation. Stronger magnetic steel with unique wiring. FOC vector controller 3.0 for improved energy efficiency and range.

## More sensitive control

### FOC vector controller 3.0

Precise control.  
New torque loop, linear output of  
power, higher efficiency.



## Better control, safer

### Carbon structural steel frame

Higher intensity and lighter  
weight, Less vibration,  
more comfortable. Passed  
500,000 times vibration test,  
amazing durability.



## Excellent safety and flexibility

### Front/rear disc brake+EBS assistant system

Quick response, shorter braking distance.  
Re-cooperation, extend range.

**1.8** m

Dry braking distance

**2.1** m

Wet braking distance

\*This data tested by rider with weight of 70kg, at 20km/h. Braking  
distance could be different with different road conditions.



# Precise positioning, stable communication ECU, Generation 3, Intelligent brain

Self-developed BMOS V3.0 intelligent communication system

Stable data transmission

OTA Function - remote upgrade  
positioning

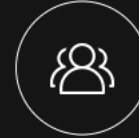
Quick GPS



Data  
Collection



Data  
Processing



Customer  
Feedback

Detail functions available subject to countries

## High energy efficiency

Intelligent BMS (battery management system), precise SOC. Multi-protections for battery. SOCO APP synchronizes the battery info automatically.



Over-discharge  
protection



Over-charge  
protection



Over-current  
protection



Short-circuit  
protection



Temperature  
protection



Battery  
equalization



## A face to remember

### Intelligent light sensing headlamps

The symmetrical U-Design with integrated daylights and indicator lights dominates the front of the all-new Super SOCO CU X. The headlamp features Matrix LED technology and throws a stunning light onto the road ahead of you for crystal clear visibility.

**75<sup>m</sup>**  
min. visibility

**29000<sup>cd</sup>**  
High beam brightness

**13480<sup>cd</sup>**  
Low beam brightness

## Unique LED tail lights

### Straight lines in timeless design

All lights are fully equipped with modern LED technology for more safety and increased visibility at night, including rear lights, braking lights and indicator lights





**OFFICIAL  
DUCATI  
SUPPLIER 2019**



## **CU<sup>x</sup> DUCATI SPECIAL EDITION**

Ducati Racing will use the Super SOCO full electric range of motorcycles and scooters as their preferred "paddock transport" throughout the MotoGP series globally.

Battery	Type	Lithium Battery
	Capacity	60V32AH
Charger	Input Voltage	90V-240VAC
	Input Current	4A
	Charging Time	7h
	Fast Charger	Optional
Motor	Rated Power	1300W
	Max Power	2788W
	Max Torque	115 N.m
Performance	Max Speed	Limited to <50 kmh
	Max Range	80km
	Climbing Ability	15°

Basic Info	Weight	70kg (included battery)
	L*W*H	1782mm*318mm*1087mm
	Wheelbase	1217mm
	Ground Clearance	140mm
	Seat Height	720mm
	Tyre	Fr. & Re. 90/90-12
	Brake	Fr. & Re. Disc (180mm)
	Rim	Fr. Alum. / Re. Steel
	Shock Absorber	Fr. & Re. Hydraulic
	Swingarm	Alum.
	Side stand	Alum.
	Keyless Go	Available



○ White



● Ferrarier Red

● Starlight Silver

● Space Grey



● DUCATI Special Edition



**S**  
SUPER  
SOCO

[www.supersoco.com.au](http://www.supersoco.com.au)